



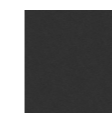
GREENE SYSTEM

design David Lopez Quincoces

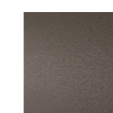
Modular sofa with supporting structure in lacquered tubular steel, 60x30mm section, seat sprung with coated rubber elastic straps and padding in polyurethane foam. Backrest and armrest structure in tubular steel embedded in cold-expanded polyurethane foam with covering in 100% polyether, thermally bonded onto a polyamide velveteen backing, screwed to the supporting structure. Seat, armrests, and backrests cushions in prewashed and sterilized goose down, stitched into separate compartments, with performed polyurethane foam insert. Armrest cushions are joined to the seat cushions by a zip.

Joint bracket made of laser-cut steel sheet and steel rod, and steel rod feet Ø22 mm, screwed to the armrest structure with a bushings, welded within the structure and seat cushion support bar, in Ø20mm steel tube, fixed to the base by screw-spacer, with gunmetal grey epoxy powder coating. Floor support secured by adjustable black PVC feet. Frame upholstery in Cuoietto, leather or fabric always non-removable; cushion upholstery in fabric or leather fully removable by zippers and Velcro fastenings. Seat depth 64 cm.

Feet



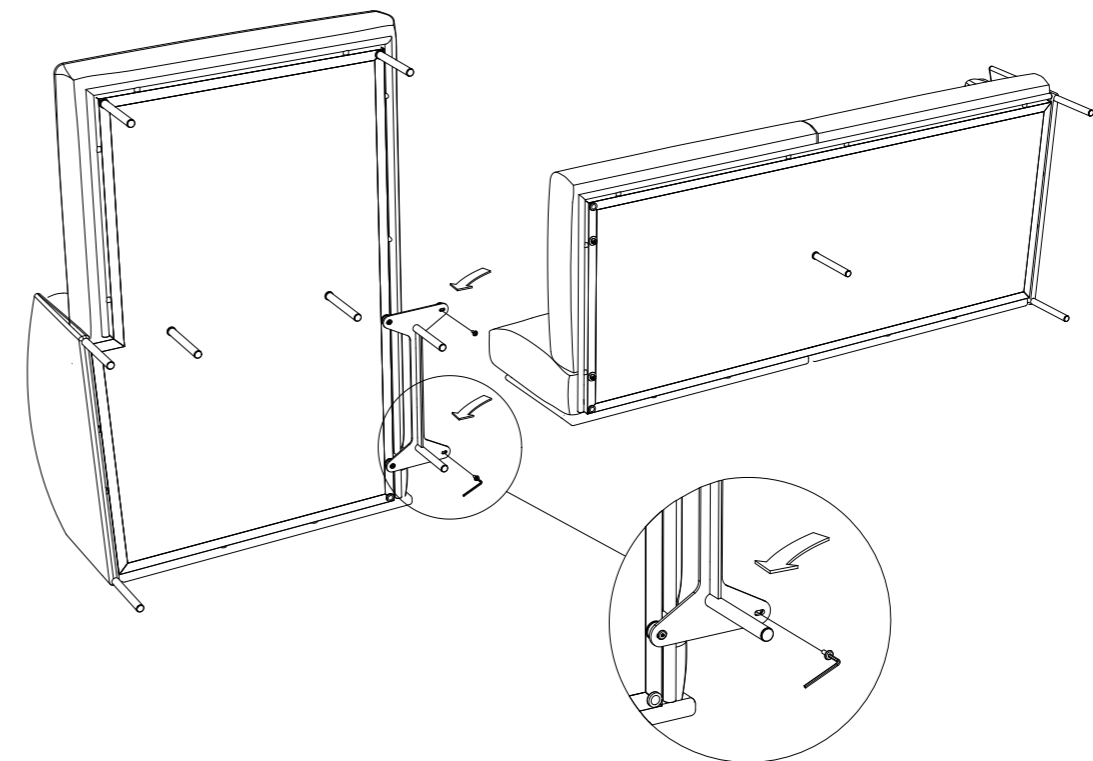
Steel with
Gunmetal Grey
Coating



Burnished
Painted Steel

Notes

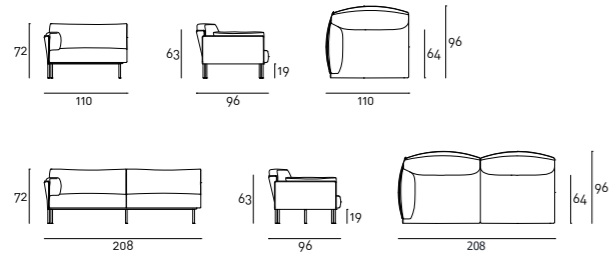
The various elements are joined together by brackets, as shown in the drawing below.



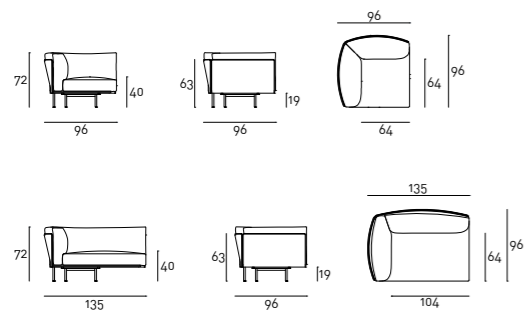
Greene System comes standard with joint bracket; in case of freestanding use of the various elements, specify at the order, to provide individual feet. For composition with different elements, please attach a general sketch to the order.

Technical Drawings

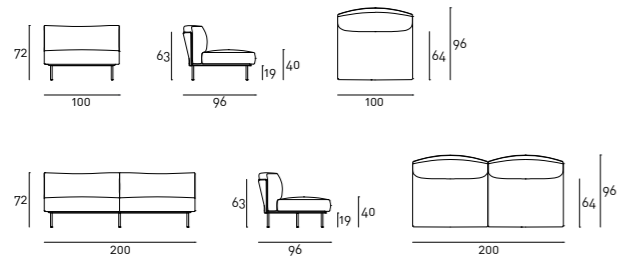
Terminal Element with left/right armrest



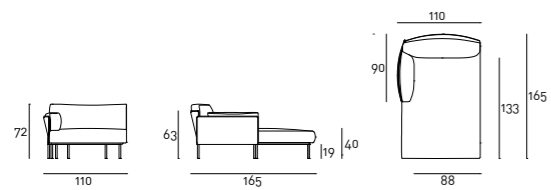
Corner Element



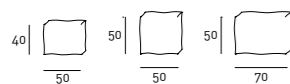
Central Element



Long Seat

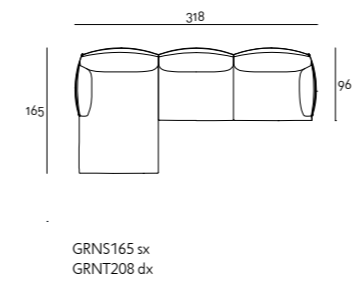


Loose Cushion

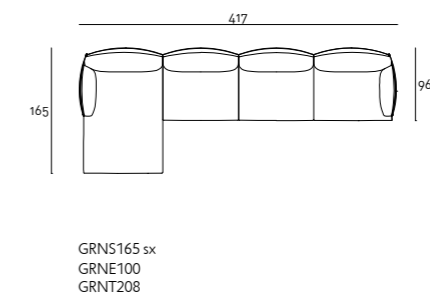


Examples of Composition

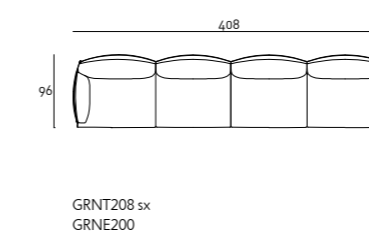
Composition 01



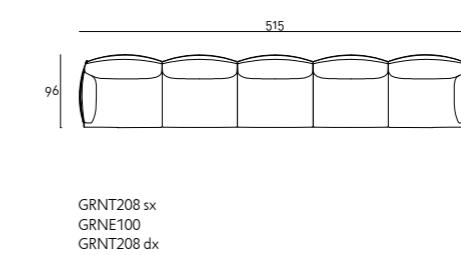
Composition 02



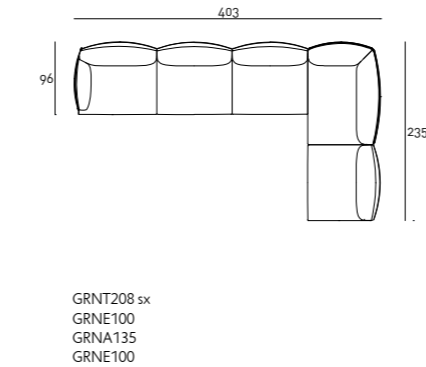
Composition 03



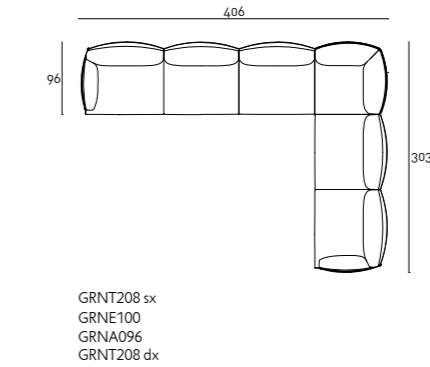
Composition 04



Composition 05



Composition 06



Composition 07

